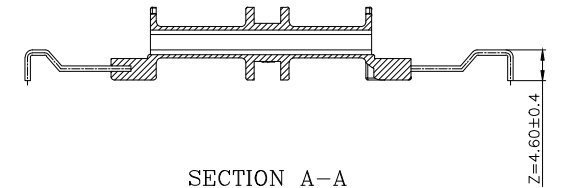
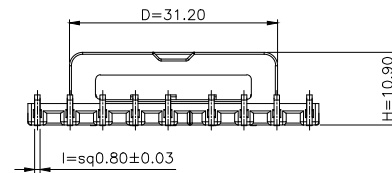
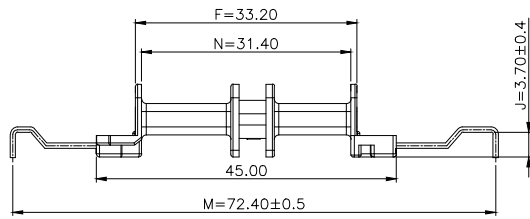
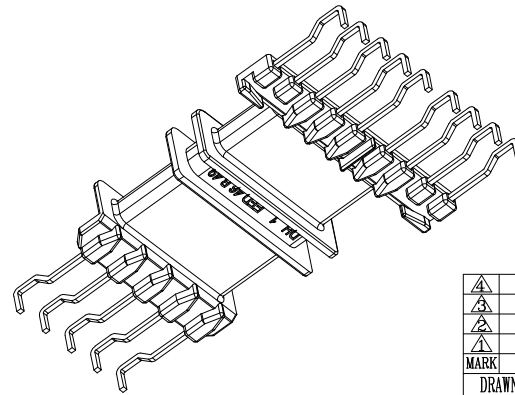
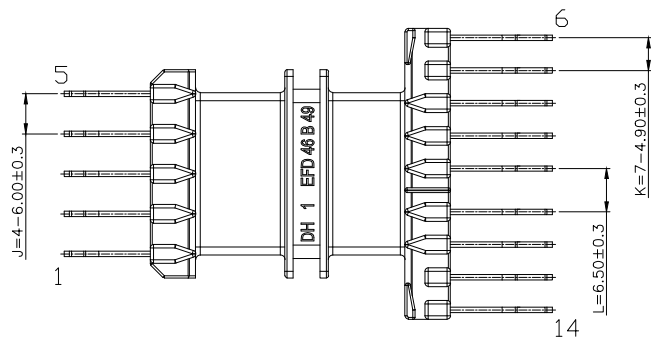


SECTION B-B

SECTION C-C



SECTION A-A



MARK	REVISION NOTE	DATE	DRAWN	CHECKED	APPROVED
△					
△					
△					
△					
DRAWN	CHECKED	APPROVED	MATERIAL : PHENOL	UL REC. : UL94V-0	THIRD ANGLE PROJ. SCALE : 1/1
Sang Han, Kim	Hyung Seok, Lee	Chul, Park		DATE : 2010.09.30	TOLERANCE : ±0.2 (Unless otherwise specified) UNIT : mm
주식회사 대흥보빈 DAE HEUNG BOBBIN CO., LTD.			TITLE EFD 46B*49 (14P) H 2F		DWG NO DH-101030-8608-00